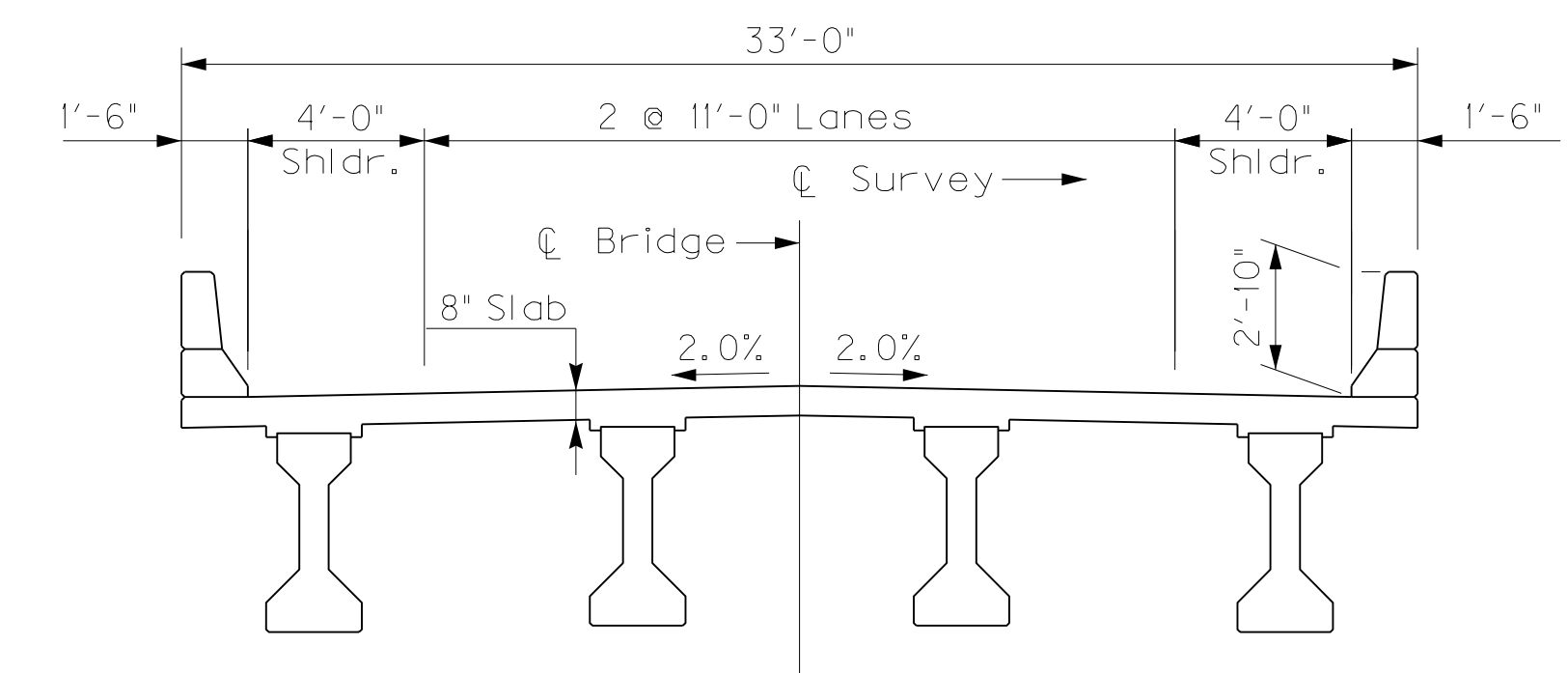
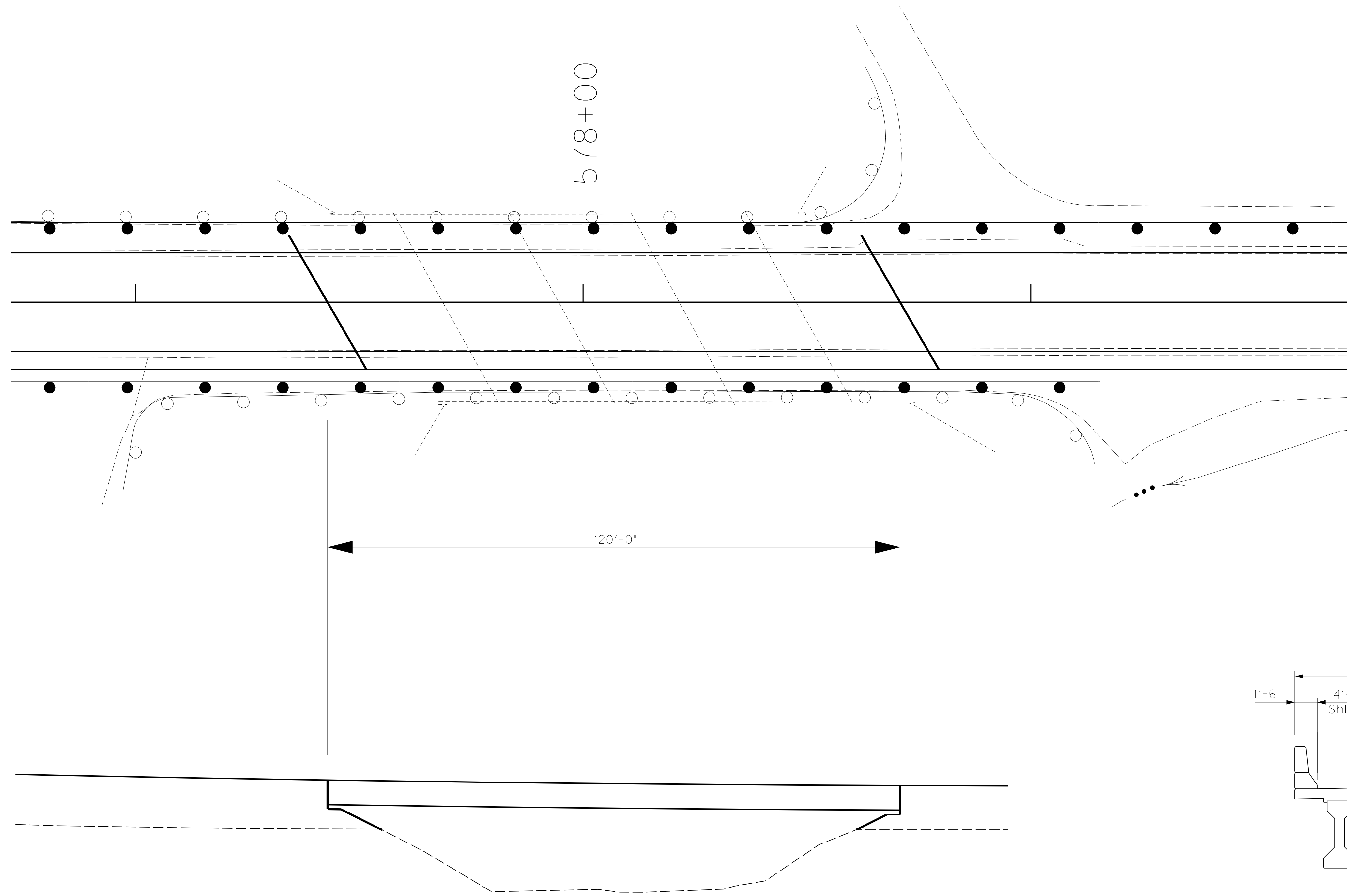


COUNTY OF	ITEM NO.	SHEET NO.
HARDIN	04-153.01	R2a



**TYPICAL SECTION**

**PRELIMINARY PROPOSED BRIDGE  
STATION 578+00 KY 434**

NTS

KY 434 - BRIDGE SECTION

MicroStation v8.11.9.459 E-SHEET NAME: FILE NAME: TSL.DGN USER: kcrider DATE PLOTTED: September 17, 2015